

SOONEC

For AIoT & Digital transformation solutions

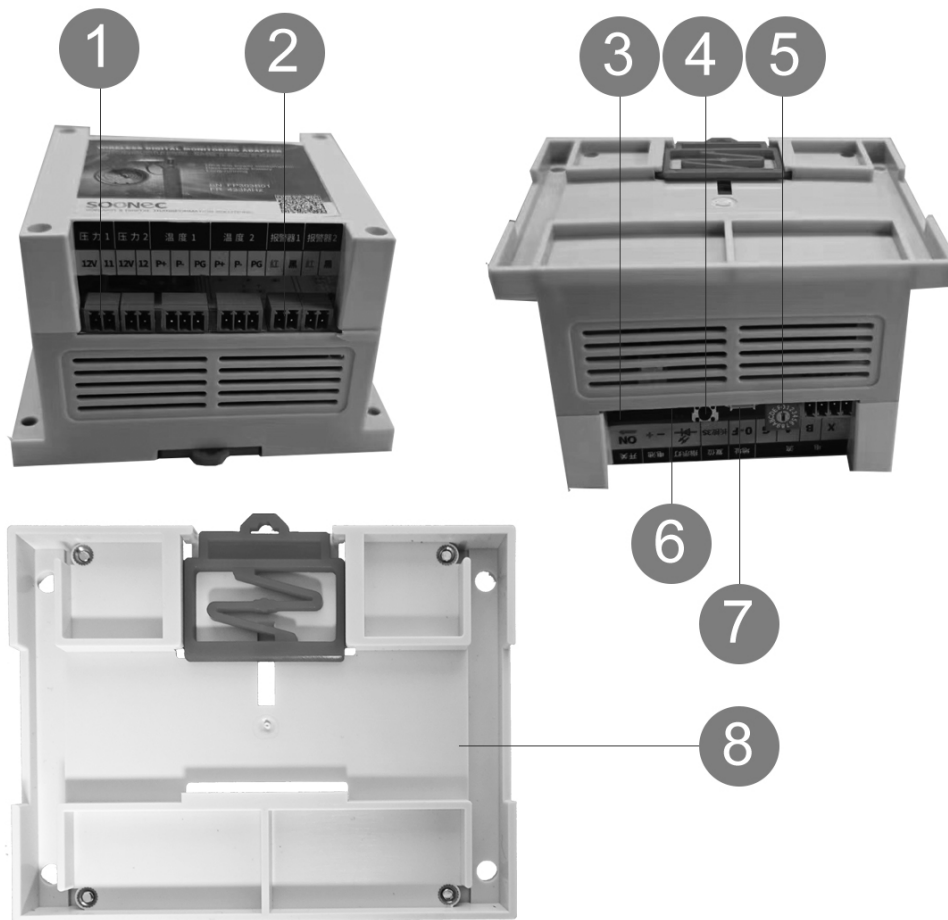
WIRELESS DIGITAL MONITORING ADAPTER



SN: FP303B01

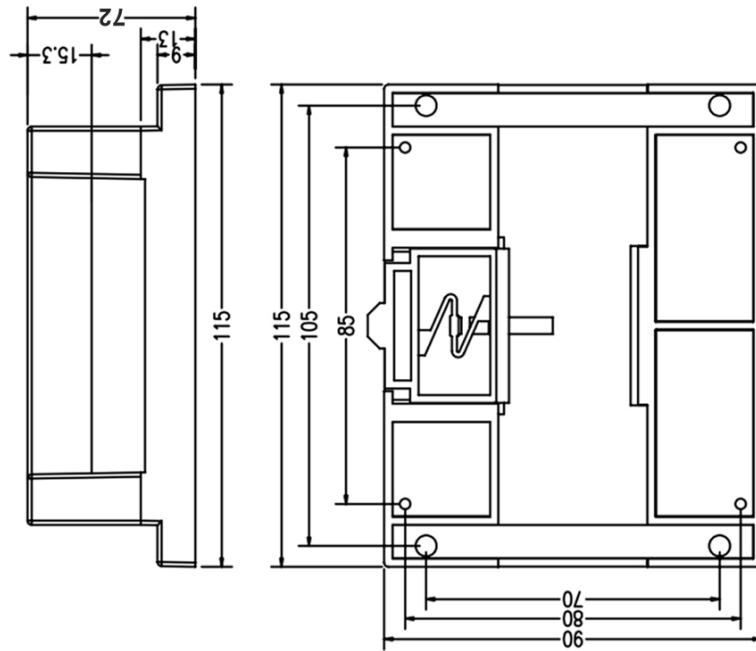
PRESSURE DETECTOR INSTRUCTIONS

Function Definition



1. Pressure sensor port
2. Alarm port
3. Power switch
4. Manual collection button, Press for collection
5. Address setting knob
6. Led Lamp
7. Battery power supply
8. International standard portcard rail groove

Size Information



Installation

Magnet installation or wall mounted

Step 1. Fix the card rail to the wall

Step 2. Fix the sensor on the clamp rail



Specification

Work environment: -20 ~ +60°C, 10%~90%RH

Work voltage: 12v

Consumption: 120μA

Battery: 4000Ah ,Rechargeable

Accuracy: 0.1MPa

Measuring Range: 0MPa ~ 10MPa

Accessory wiring

1. Connect the pressure sensor to the pressure interface 1 of the wireless adapter;
2. Connect the sound and light alarm to the sound and light interface 1 of the wireless adapter.



WARNINGS

- > Stay away from high temperature, humidity, strong magnetism, and dusty environments.
- > When the battery is low, please replace the battery or charge it in a timely manner (rechargeable battery situation).
- > The surface of the product can be gently wiped with a soft cloth and neutral detergent.
- > This product is not waterproof, and waterproof measures should be taken at the installation location.
- > This product uses wireless communication (433MHz) and should not be installed in metal enclosed spaces with strong signal shielding.

ROHS TABLE

Part name	Harmful substances				
	Pb	Hg	Cr(VI)	PBB	PBDE
Plastic parts	o	o	o	o	o
Metal parts	o	o	o	o	o
PCBA	x	o	o	o	o
Battery	o	o	o	o	o
LCD/Digital tube	o	o	o	o	o

This table is prepared in accordance with the provisions of SJ/T 11364.

o: Indicates that the content of the hazardous substance in all homogeneous materials of the component is below the limit requirements specified in GB/T 26572.

x: Indicates that the content of the hazardous substance in at least one homogeneous material of the component exceeds the limit requirements specified in GB/T 26572.

Warm Tips:
Depending on the device, the components included may vary. Please refer to the actual purchase of the device.

AFTER-SALES SERVICE

Thank you for purchasing our products. To ensure the interests of our customers, if any product malfunctions due to quality issues, customers can contact their local dealer or authorized repair station with an invoice and warranty card.

SPECIAL ATTENTION

1. Within one year from the date of purchase, if there is a malfunction during normal use, our company will provide free warranty, component replacement, and other services based on the malfunction situation;
2. This warranty modification card and shopping invoice are vouchers for our company to provide after-sales service to customers. This card must be filled out in detail in the following form and be valid only after being stamped with the dealer's official seal;
3. If one of the following situations occurs, free warranty services will not be implemented and repairs will need to be charged:
 - (1) Beyond the warranty period;
 - (2) Damage caused by improper use, maintenance, or storage not in accordance with the product manual;
 - (3) Failure or damage caused by unauthorized disassembly, repair, or modification of products without the permission of our company;
 - (4) Product malfunction or damage caused by force majeure;
 - (5) Vulnerable parts and accessories

PRODUCT WARRANTY CARD

Product information	Goods Name		Factory number		
	GoodsNo		Production date		
Customer Information	Customer Name		Contacts		
	Address		Phone number		
Sales Information	Seller		Contacts		
	Address		Phone number		
	Sales date		Invoice number		
Repair registration	Faults	Repair results	Customer Name	Repairman	Date

SOONEC Soonec Technology Co., Ltd.
For AIoT & Digital solutions

Cut this copy along the dotted line and keep it in the custody of the dealer

Product information	Goods Name		Factory number		
	GoodsNo		Production date		
Customer Information	Customer Name		Contacts		
	Address		Phone number		
Sales Information	Seller		Contacts		
	Address		Phone number		
	Sales date		Invoice number		
Repair registration	Faults	Repair results	Customer Name	Repairman	Date

PRODUCT QUALIFICATION CERTIFICATE

This product has been tested,
it meet the quality requirements,
factory granted.

Certification Model:

Sampling test & Follow-up inspection

Product Name: Pressure Detector

Product SN: FP303B01

Batch number: 202403200605

CHECKER: _____

Soonec Technology Co., Ltd.



service@soonec.com



<http://www.soonec.com>

SOONEC

For AIoT & Digital solutions